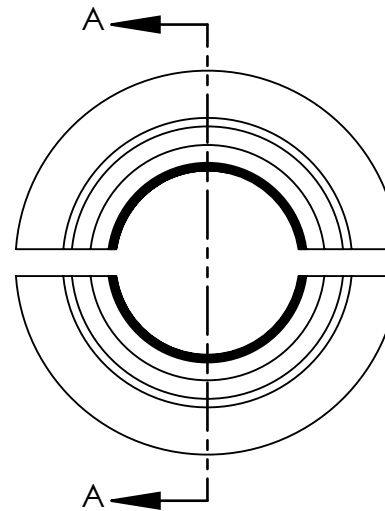



SECTION A-A



ZINC PLATED

THE INFORMATION CONTAINED IN THIS DRAWING IS THE SOLE PROPERTY OF P.T. ATLAS MANUFACTURING LLC. ANY REPRODUCTION IN PART OR WHOLE WITHOUT THE WRITTEN PERMISSION OF P.T. ATLAS MANUFACTURING LLC IS PROHIBITED

SCALE: 2:1 SHEET SIZE: A SHEET: 1 OF 1

 ATLAS POST-TENSION PRODUCTS	
714B W SIMONDS RD SEAGOVILLE, TX 75159	
DESCRIPTION:	
P.T. ATLAS .5" 1.2 2PC WEDGE, ZINC PLATED (SALES DRAWING)	
PART NO:	REV
WG50122Z	A