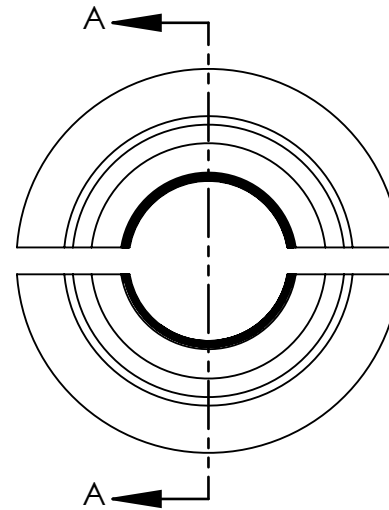



SECTION A-A



THE INFORMATION CONTAINED IN THIS DRAWING IS THE SOLE PROPERTY OF P.T. ATLAS MANUFACTURING LLC. ANY REPRODUCTION IN PART OR WHOLE WITHOUT THE WRITTEN PERMISSION OF P.T. ATLAS MANUFACTURING LLC IS PROHIBITED

SCALE: 2:1 SHEET SIZE: A SHEET: 1 OF 1

 <b>ATLAS</b> POST-TENSION PRODUCTS	
712A W SIMONDS RD SEAGOVILLE, TX 75159	
DESCRIPTION:	
P.T. ATLAS, .44", 1.2 2PC WEDGE (SALES DRAWING)	
PART NO:	REV
<b>WG44122</b>	<b>A</b>