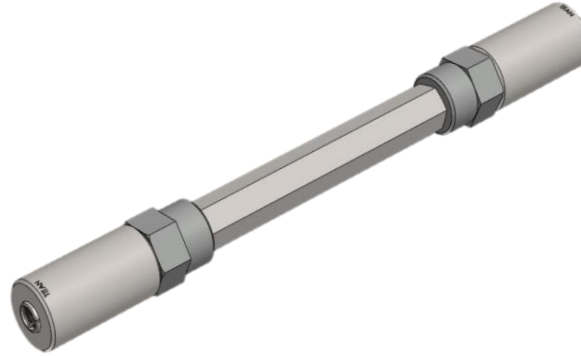


# P.T. ATLAS MANUFACTURING

## BC50AS - TITAN 0.5" ADJUSTABLE CABLE SPLICE TORQUE (FT-LB) VS. TENSION (LBF) CHART

Torque (ft-lb)	Tension (lbf)
0	0
10	982
20	1964
30	2947
40	3929
50	4911
60	5893
70	6875
80	7858
90	8840
100	9822
150	14733
200	19644
250	24555
300	29466
350	34377

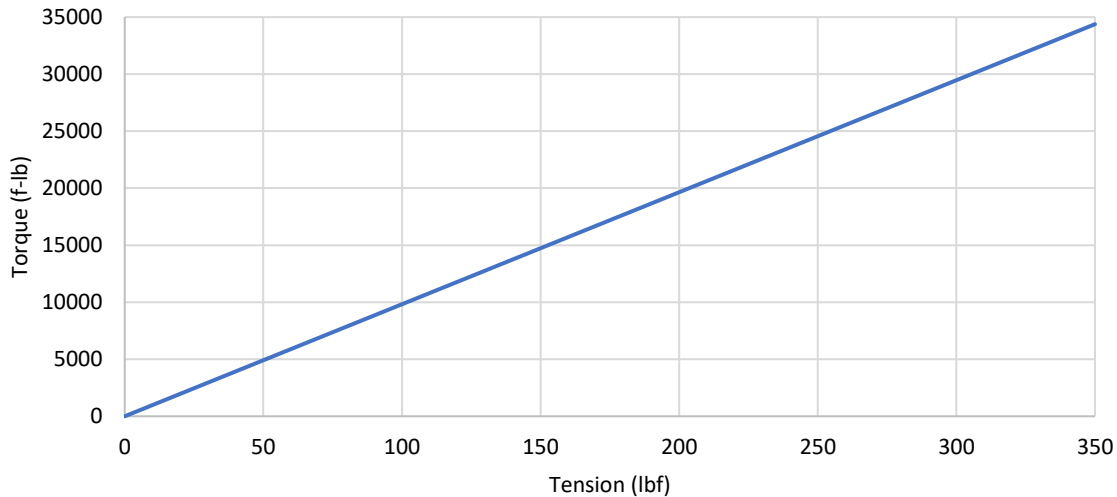


270 ksi Strand	Ultimate Strength (lbf)	70% Ultimate (lbf)	Torque to 70% (ft-lbs)	Torque to 80% (ft-lbs)
3/8	23000	16100	164	187
7/16	31000	21700	221	252
1/2	41300	28910	294	336

250 ksi Strand	Ultimate Strength (lbf)	70% Ultimate (lbf)	Torque to 70% (ft-lbs)	Torque to 80% (ft-lbs)
3/8	20000	14000	143	163
7/16	27000	18900	192	220
1/2	36000	25200	257	293

Titan 0.5" Adjustable Barrier Cable Splice Chuck  
Torque (ft-lb) vs. Tension (lbf) Chart



NOTE: VALUES OBTAINED IN A CONTROLLED TEST ENVIRONMENT AND ARE FOR GENERAL PURPOSES ONLY. JOBSITE CONDITIONS MAY VARY FROM TEST CONDITIONS. CONDITIONS SUCH AS AS INSTALLATION, FRICTION, ALIGNMENT, AND OTHER FACTORS MAY INFLUENCE ACTUAL FORCE RESULTS