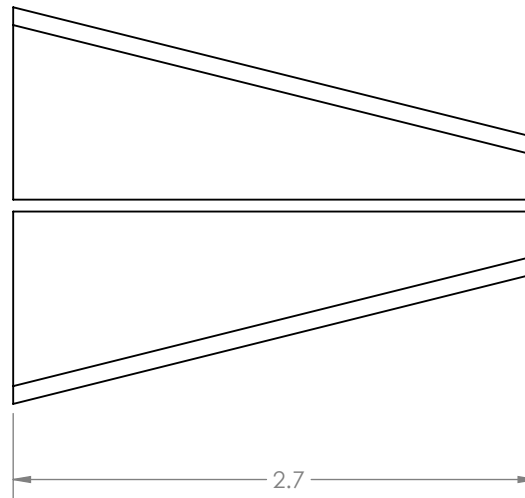
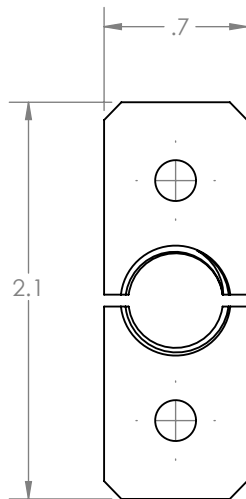
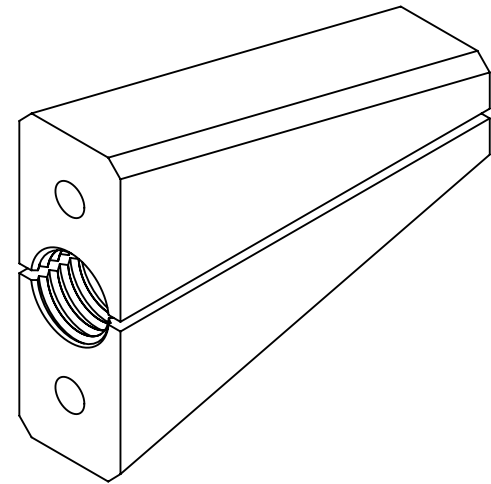


PART NUMBER	CABLE SIZE
DAJ38GRIP	3/8"
DAJ44GRIP	7/16"
DAJ5GRIP	1/2"



ATLAS	
POST-TENSION PRODUCTS	
712A W SIMONDS RD SEAGOVILLE, TX 75159	
DESCRIPTION: DAJ5 GRIPPERS (SALES DRAWING)	
PART NO: SEE TABLE	REV A

THE INFORMATION CONTAINED IN THIS DRAWING IS THE SOLE PROPERTY OF P.T. ATLAS MANUFACTURING LLC. ANY REPRODUCTION IN PART OR WHOLE WITHOUT THE WRITTEN PERMISSION OF P.T. ATLAS MANUFACTURING LLC IS PROHIBITED

SCALE: 1:1 | SHEET SIZE: A | SHEET: 1 OF 1