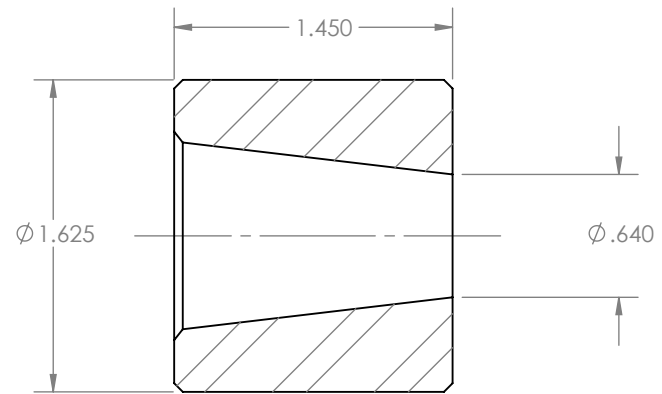



ZINC PLATED



SECTION A-A

THE INFORMATION CONTAINED IN THIS DRAWING IS THE SOLE PROPERTY OF P.T. ATLAS MANUFACTURING LLC. ANY REPRODUCTION IN PART OR WHOLE WITHOUT THE WRITTEN PERMISSION OF P.T. ATLAS MANUFACTURING LLC IS PROHIBITED

SCALE: 1:1 | SHEET SIZE: A | SHEET: 1 OF 1

 <p>ATLAS POST-TENSION PRODUCTS</p>	
712A W SIMONDS RD SEAGOVILLE, TX 75159	
DESCRIPTION:	
BARREL CHUCK, 0.5", 1.45" X 1.625" DIA., ZINC PLATED (SALES DRAWING)	
PART NO:	REV
CH50DZ	A